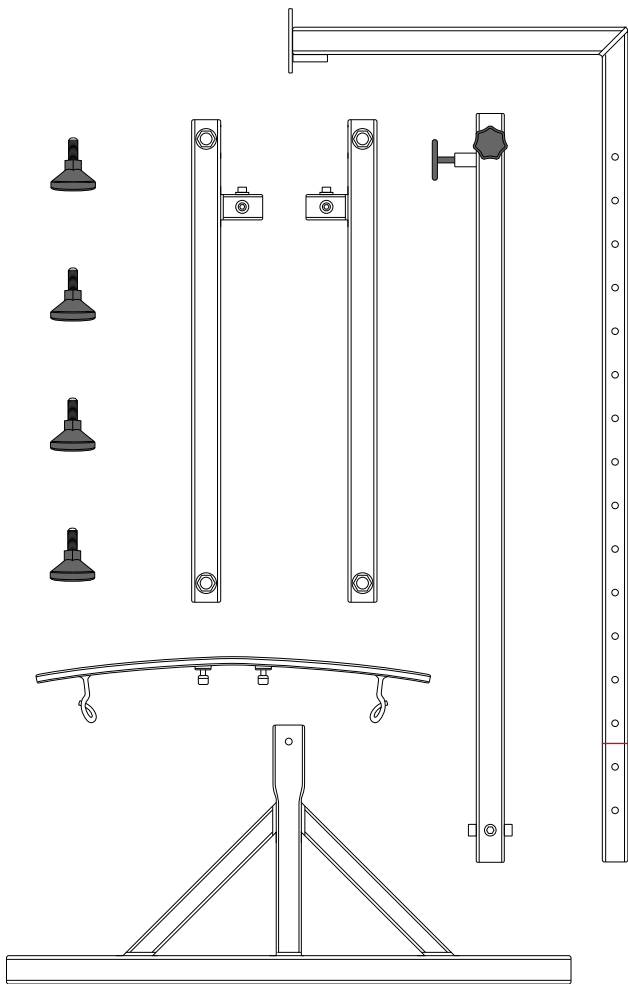




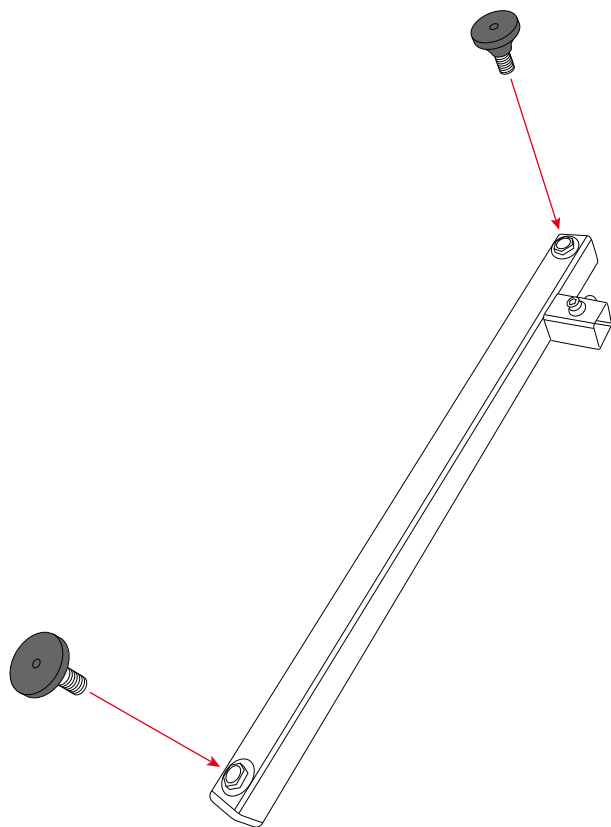
ASSEMBLY INSTRUCTION

GONG / TAM TAM STAND

TMGS

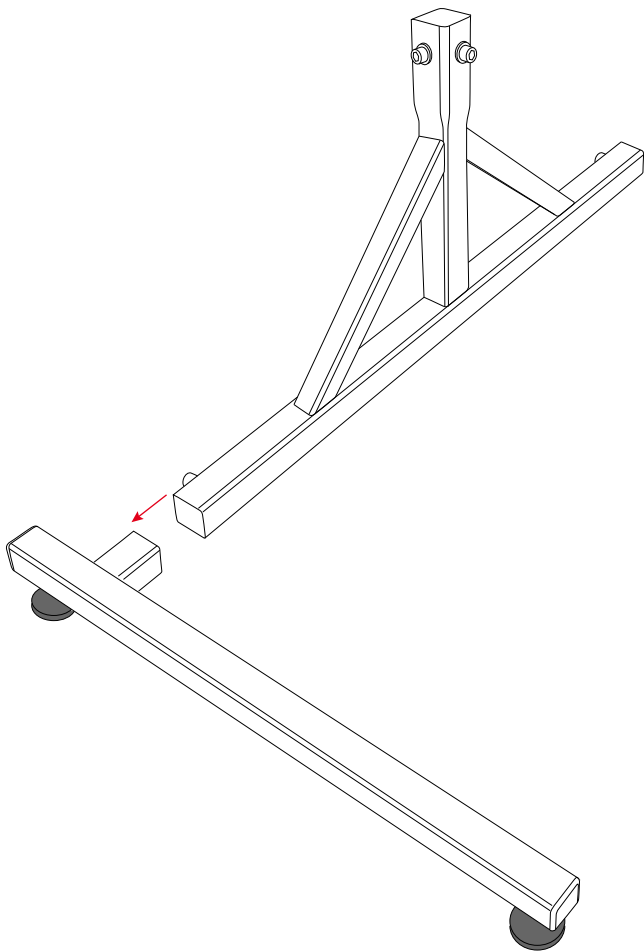


1.

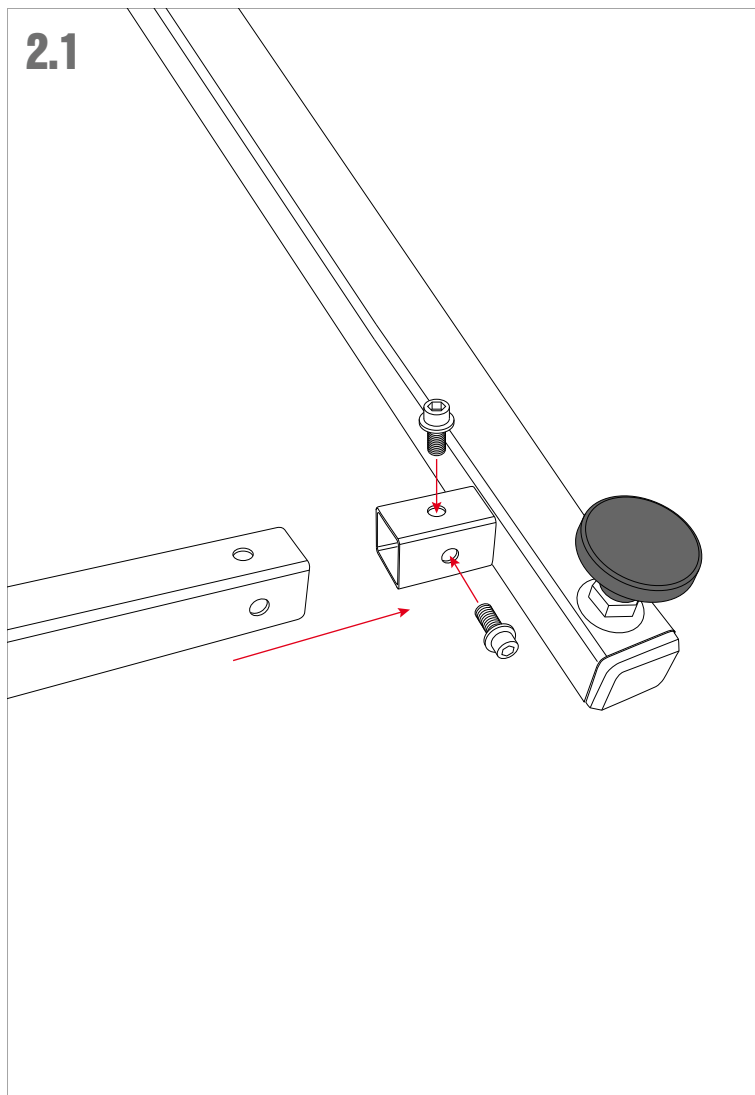


X2

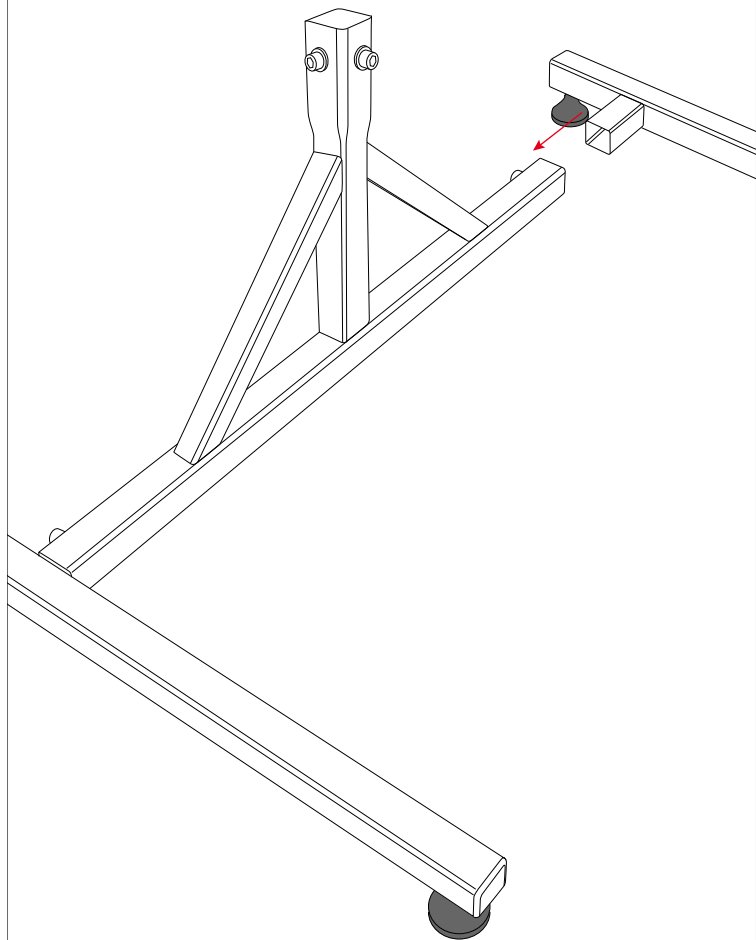
2.



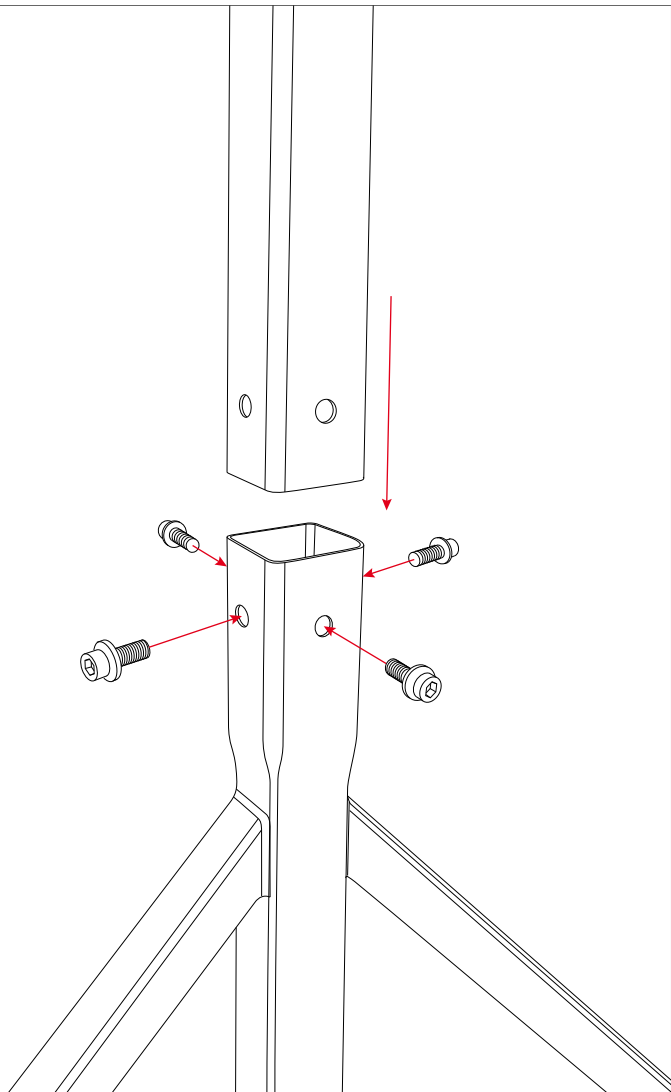
2.1



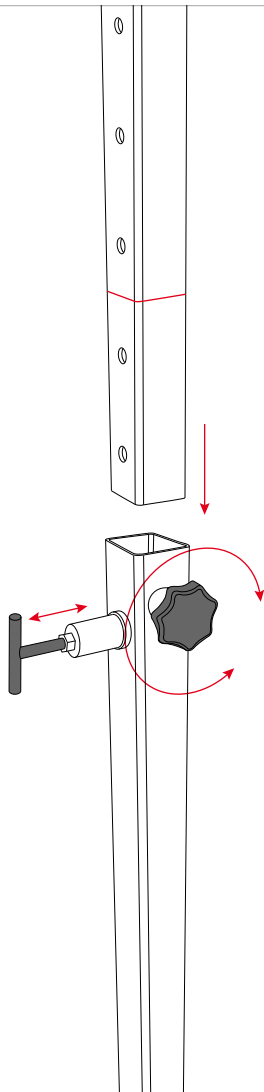
3.



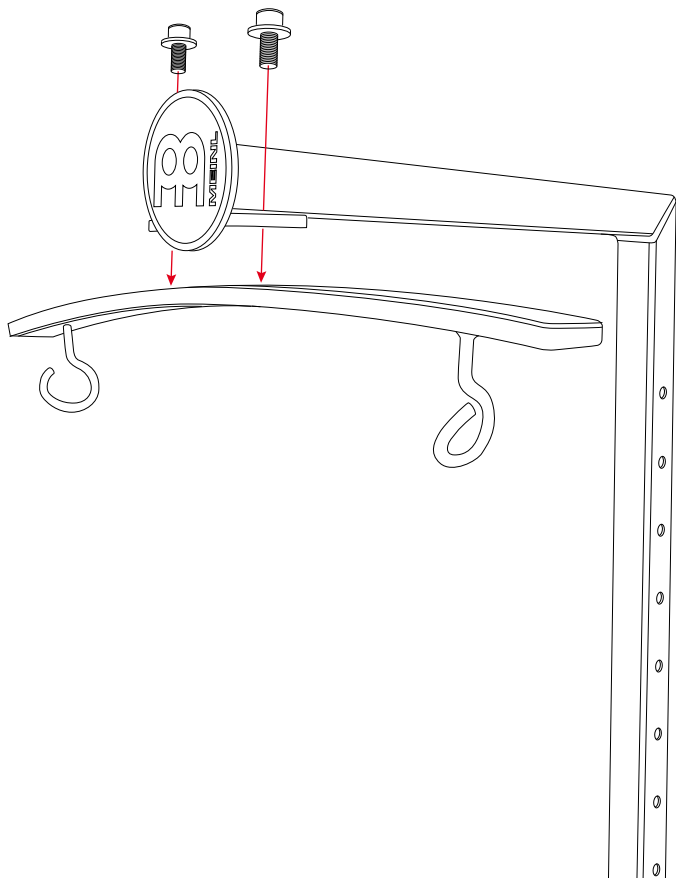
4.



5.



6.







GONG / TAM TAM STAND

TMGS

The MEINL Gong/Tam Tam Stand is engineered in a strong frameless manner, in order for one to play a gong or tam tam very easily. Furthermore the stand can be adjusted in height from a very low position up to a high position.

Up to 32" / 81cm gong / tam tam size.

ROLAND MEINL MUSIKINSTRUMENTE GMBH & CO. KG
MUSIK-MEINL-STR. 1, 91468 GUTENSTETTEN, GERMANY
INFO@MEINLCYMBALS.COM
WWW.MEINLCYMBALS.COM